

At Camox, operator feedback counts.



## Manufacturer PIALLEPORT SA

739 Route de LA COTE SAINT ANDRÉ  
38870 SAINT SIMEON DE BRESSIEUX  
FRANCE

Phone: +33 4 74 20 18 00

Fax.: +33 4 74 20 18 08

Website: [www.camox.fr](http://www.camox.fr)

Email: [pialleport@camox.fr](mailto:pialleport@camox.fr)

Distributor:

# CAMOX

Improve your productivity

## F 175 Tier 4





# MACHINE SPECIFICATIONS

## Power



The Cummins engine provides the ideal weight-to-power ratio for forestry work.

Thanks to the electronically controlled engine, emission of polluting particles is reduced. The operator's station has built-in consumption control and a diagnostics tool. The engine only has a particle filter system.

The ZF gearbox inverter provides comfortable flexibility, providing strong traction at low speeds and facilitating gear changes for the operator.

The first gear holds the machine effectively.

## Robust

Reliability is our priority. We create our chassis with high-strength steel such as Weldox, and use Hardox 400 for the apron and blades.

Interchangeable and over-sized hydraulic components.

The NAF axles have multiple-disc wet parking brakes, a ZF gearbox with converter, Cummins engine and Danfoss controller for optimized drivetrain reliability.

Extra robust thanks to the size and choice of components, our machines have low maintenance costs thanks to an extended lifecycle, ensuring high performance.



## Ergonomics and Comfort

At Camox, we listen to our operators. The result is a skidder with a spacious, silent and functional cab and superb design features. With rotating pneumatic-suspension seat and optimized visibility for comfortable working conditions and driving efficiency.

Areas for storage in the cab, on the rear chassis for the chainsaw or other equipment can be tailored to customer needs.



### Cummins engine

QSB 6 cylinders, Tier 4, 6.7 liters

Output:

220 CV at 2,200 RPM

230 CV at 2,000 RPM

Max. tractive force 949 Nm/1,400 RPM

### Gearbox - ZF

WG 190

Power shift gear box with traction inverter 5 front gears and 3 rear gears

Option: 6 front gears Speed with 5 gears: 25 km/h max. Speed with 6 gears: 40 km/h max.

### Axles

Front and rear independent multiple-disc differential lock

Electrohydraulic controls

Wet brakes for traveling in the reducers

Wet brakes for parking in the axles

### Steering

Two articulated jacks

### Rocker arm

Clearance 15°

### Articulation

Rotation 45°

### Tires

23.1 x 26 min. width 2.55 m 28 L x 26 min. width 2.80 m

24.5 x 32 min. width 2.80 m

30.5 x 32 min. width 2.95m

### Tank capacity

Fuel: 200 liters

Hydraulic oil: 190 liters

### Hydraulic system

Variable cylinder pump output 220 L/min

### Electronic equipment

2 batteries: 105 AMP with 12 V each and switch

### Panoramic cab

Fixed station:

Seat with pneumatic suspension and 15° rotation

Controls display

Quarter-turn steering wheel

Noise level: 69 decibels at 1,500 RPM

Heating

Air conditioning

ROPS/FOPS/OPS compliance

Reversible driving position:

Seat with pneumatic suspension and heating

Electric seat rotation 360°

Control display on the seat

All functions on the seat

Noise level: 69 decibels at 1,500 RPM

Heating

Air conditioning

ROPS/FOPS/OPS compliance

### LED work lamps

4 front and 4 rear

### Winch with hydrostatic transmission

Single winch: capacity 220m, ø14mm GL 220 force 16 T

Double winch: capacity 2 x 220m, ø14mm GL 220 force 2 x 16 tonnes

JL 300 force 2 x 22 tonnes

### Boom

Camox M90

Epsilon S110, S120, X130 and X150

### Grapple

Single arch: Camox 110" pincer

Camox 126" pincer

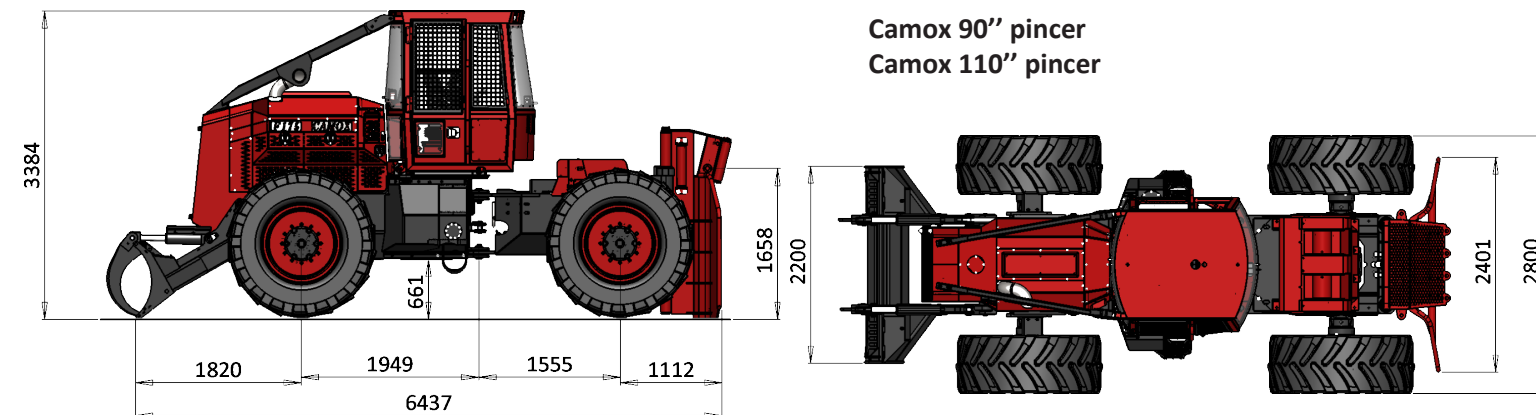
Double arch: Camox 110" pincer

Camox 126" pincer

### Klemmbank

Camox 90" pincer

Camox 110" pincer



Mounted on 24.5 x 32

The manufacturer reserves the right to modify and improve the features of their machines without being required to make the same modifications to machines produced previously.